

SHERNI LOCKS MANUFACTURERS PVT. LTD.

GAT 1343, AHURA WAREHOUSING, NAGAR ROAD, WAGHOLI, PUNE 412207
CONTACT NO. -9552439876 Mail ID - artig@shernilocks.com

SAFE DEPOSIT LOCK

TECHNICAL DATA

Benefits -

- High security key lock
- Suitable for heavy duty applications

Applications -

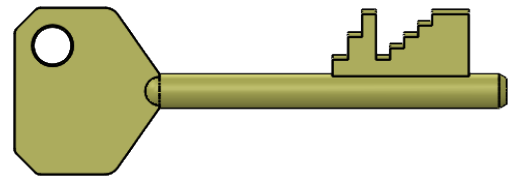
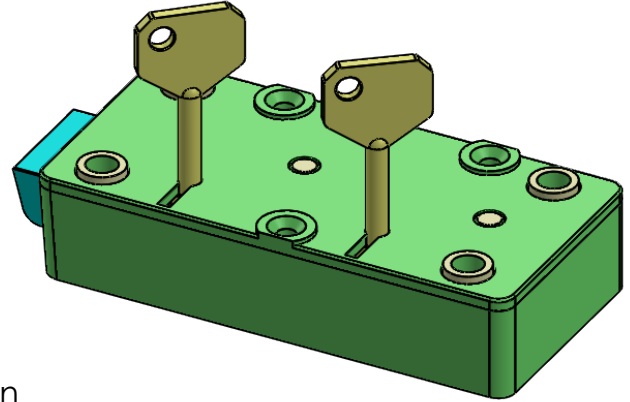
- Safe Deposite Locker

Material / Finish

- Case & Cover - Zamak - Blue zinc passivation
- Bolt - Zamak - Blue zinc passivation
- Levers - Brass
- Lever spring - PB wire
- Keys - S.S. forged

Information -

- BIS certified Locks
- Up to 3,00,000 combinations



Note : SDL locks can be manufactured as per the customers requirement of number of locks with one pair of custodian keys with different Renter keys.

Drawing -

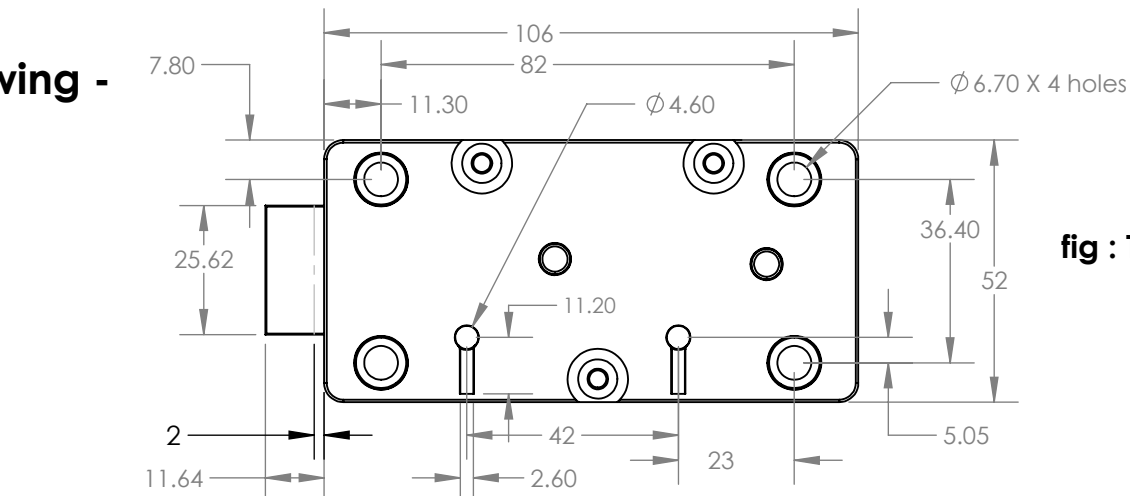


fig : Top view

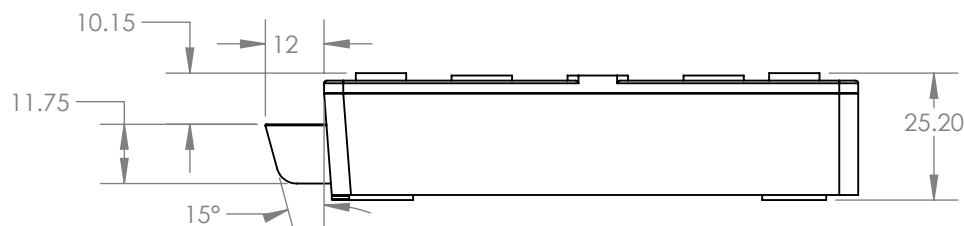


fig : Side View