

SHERNI LOCKS MANUFACTURERS PVT. LTD.

GAT 1343, AHURA WAREHOUSING, NAGAR ROAD, WAGHOLI, PUNE 412207
CONTACT NO. -9552439876 Mail ID - artig@shernilocks.com

DUAL CONTROL SMALL SAFE KEYLOCK

TECHNICAL DATA

Benefits -

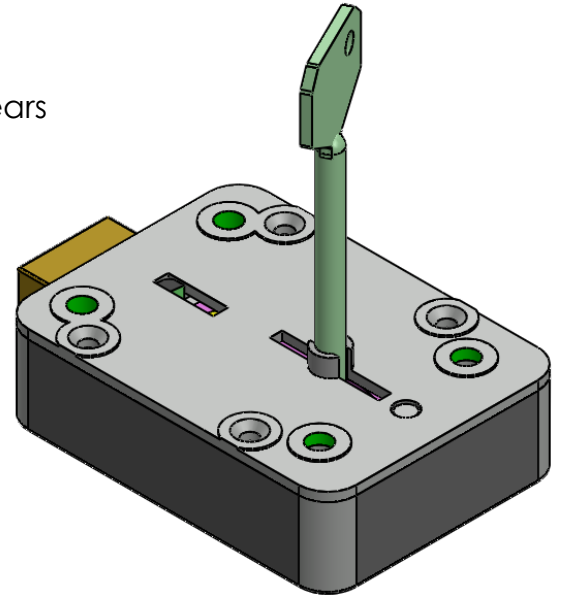
- High security key lock
- Suitable for heavy duty applications
- Duplicate key possible from our record up to 10 years

Applications -

- Safes
- Strong Room Doors
- Heavy Cabinet

Material / Finish

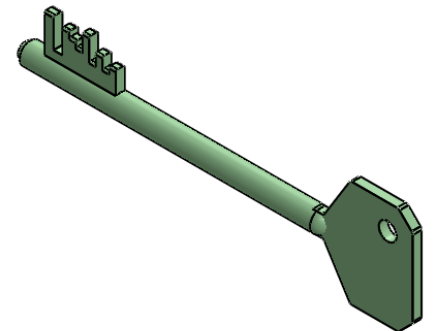
- Case & Cover - Zamak - Blue zinc passivation
- Main Bolt - Zamak - Blue zinc passivation
- Auxiliary Bolt - Zamak - Blue zinc passivation
- Levers - Brass
- Lever spring - PB wire
- Keys - S.S. forged



Information -

- Up to 8,00,000 combinations
 - Variable Key Length available in 5" and 7" .
 - Variance
- 1) 1 lock -Single control - 2 keys (1 duplicate or more)
 - 2) 1 lock -Dual control - 4 keys (2 duplicate or more)
 - 3) 2 lock -Dual control - 6 keys (3 duplicate or more)

(Any combination as per your demand)



Drawing -

